

Toilet paper holder

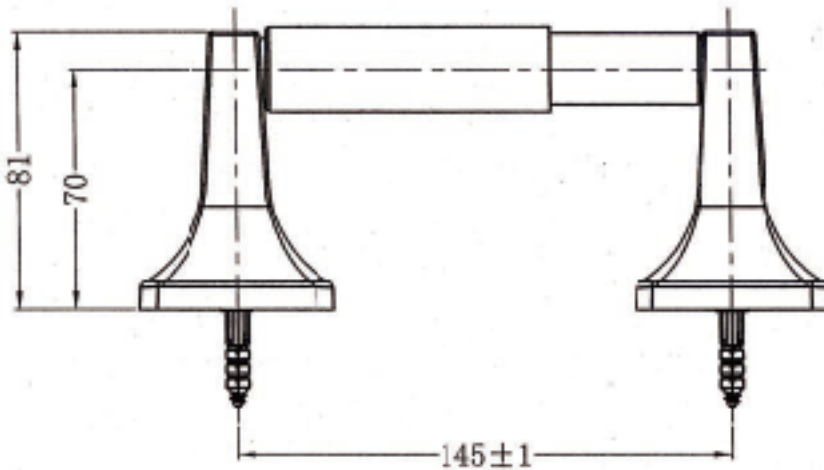
BATHROOM

Features:

- Double base for products



2450-P01BN
Brush Nickel Finish



APPROVAL:
Meets or exceeds The
following

*QB-T1560-2006