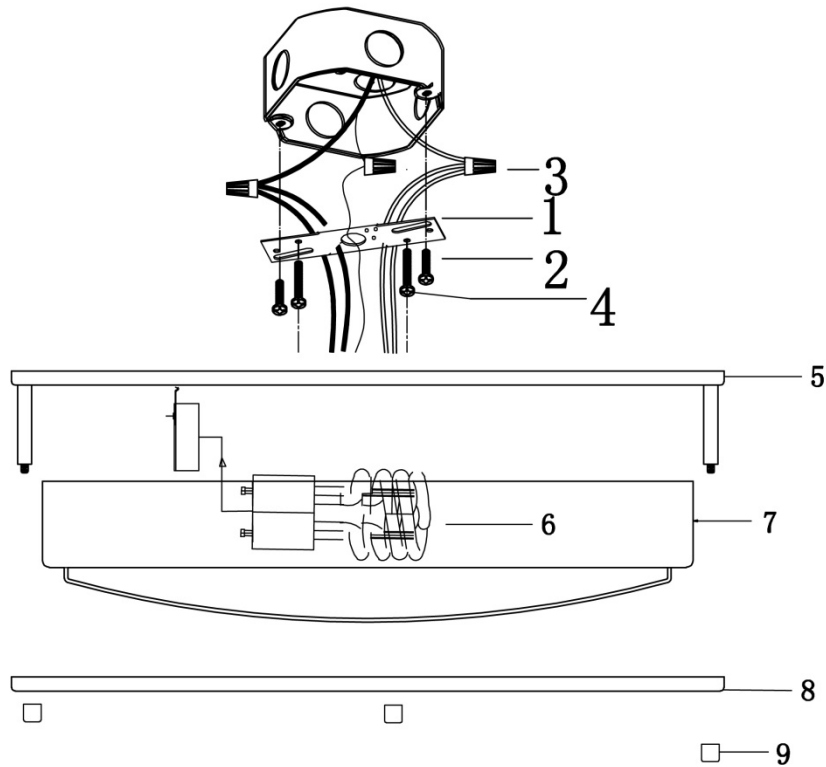


**BRUSHED NICKEL, MATTE WHITE ACRYLIC**

**CEILING MOUNT LAMP**

<b>CG10GU24-BN</b>	
Dimension	Dia. 10in X H3.3in
Material	Steel, Acrylic
Finishes	Brushed Nickel, Matte White Acrylic
Bulb Types	GU10x1pc (13W Max) GU24x1pc (13W Max)
Standards	UL-CUL Listed



URBN Building Products, LLC

110-110<sup>th</sup> Avenue NE, Suite 550, Bellevue, WA 98004 USA

Phone: (800) 866-3646 – E-mail: info@URBNBP.com