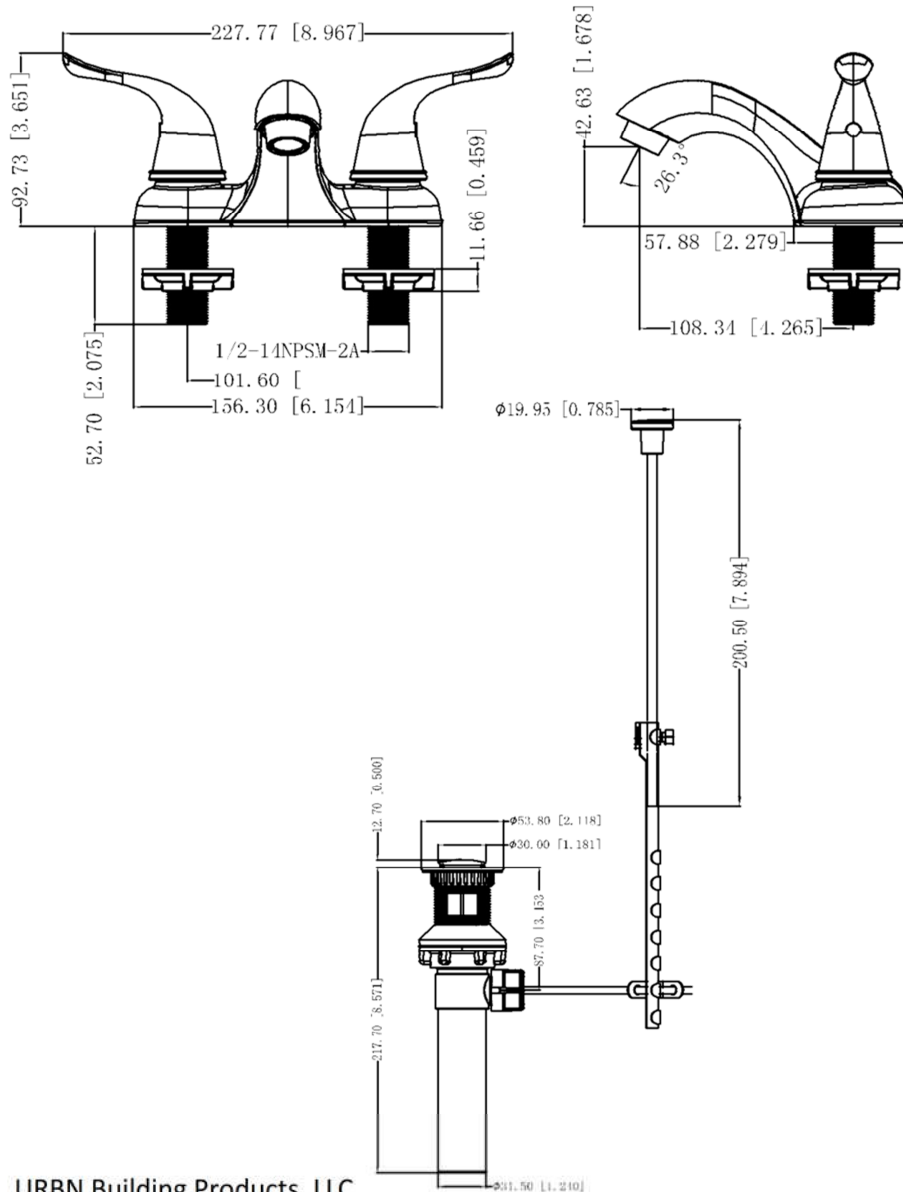


Two Handle, 4" Spread

Lavatory Faucet

05-LVFBN	
Size	4" Spread
Finishes	Brushed Nickel
Flow Rate	0.5 GPM or 1.0 GPM
Meets or Exceeds:	IAPMO/UPC ANSI/ASME A112.18.1M ANSI/NSF 61-Sec.9 Watersense



URBN Building Products, LLC

110-110th Avenue NE, Suite 550, Bellevue, WA 98004 USA

Phone: (800)866-3646 – E-Mail: info@URBNBP.COM